

Technical Specification

**GOCO Nozzle PLC (1" and 1.5" Pipe)**



VN-25-PC-50



VN-45-PC-50

**Description**

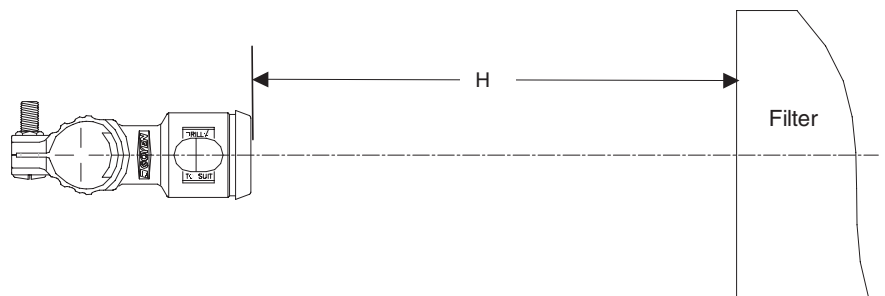
Goyen's range of plastic nozzles measurably increase developed pressures in filters during reverse pulse cleaning by balancing the flow through all holes along the blowtube, ensuring that the pulse jet is directed fully into the filters, and minimising the pressure drop through the blowtube holes. Goyen's nozzles ensure effective cleaning is achieved at An/Ap (total blowtube hole area/blowtube cross-sectional area) values up to 1.5, extracting maximum pulse performance from the diaphragm valves. Typical systems not using the Goco nozzle perform at 0.5 to 0.8.

**Suitable for**

1" and 1.5" pipe diameters in reverse pulse jet filter cleaning applications and its variations including bag filters and cartridge filters. Plastic nozzles are not suitable for high ambient temperature applications above 80°C (176°F).

**Installation**

For best performance,  $H=(\varnothing \text{ Filter} - 48)/0.353$  (mm) or  $H=(\varnothing \text{ Filter} - 1.88)/0.353$  (inches). Prepare  $\varnothing 27\text{-}28\text{mm}$  ( $\varnothing 1.06 - 1.10$ " ) holes in the blowtube.

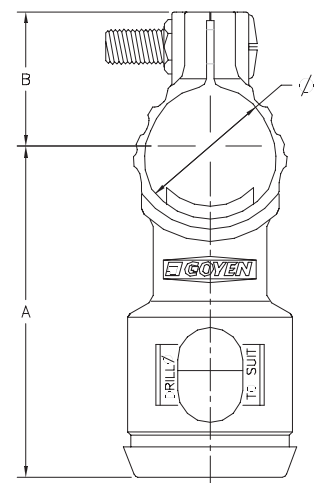
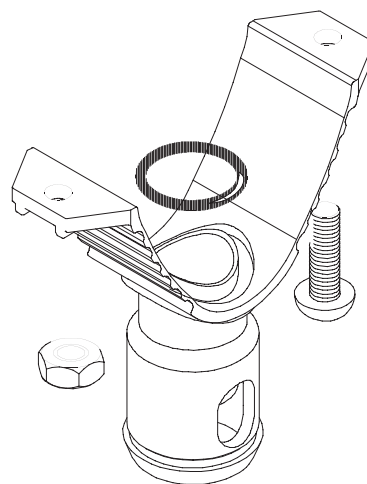


**Dimensions and Weights**

(Dimensions in mm and [inches])

| Model     | A              | B             | Ø            |
|-----------|----------------|---------------|--------------|
| VN25PC-50 | 110 mm [4.33"] | 76mm [3.00"]  | 33mm [1.32"] |
| VN45PC-50 | 126 mm [4.97"] | 84 mm [3.29"] | 48mm [1.90"] |

Nozzles must be drilled to required orifice size before installation. Ensure o-ring is in place when fitting nozzle to pipe.



**Order Code and Characteristics**

| Order Code                               | VN-25-PC-50           | VN-45-PC-50           |
|--|-----------------------|-----------------------|
| Suitable for pipe Ø                      | 1" (Schedule 40)      | 1.5" (Schedule 40)    |
| Nominal pipe external Ømm (inches)       | 33 (1.32)             | 48 (1.90)             |
| Temperature range °C (°F)                | -40 (-40) to 80 (176) | -40 (-40) to 80 (176) |
| Material                                 | PA-6                  | PA-6                  |
| Unit mass Kg (lbs)                       | 0.060 (0.13)          | 0.065 (0.14)          |
| Pipe hole Ø to accept nozzle mm (inches) | 22.0 (0.866)          | 26.0 (1.023)          |

Nozzle sizes can be optimised using Goyen's GOCO software. Contact your local Goyen representative.

Technical Specification

**GOCO Nozzle Screw In (3/4" and 1" Pipe)**

**Description**

Goyen's range of plastic screw in nozzles measurably increase developed pressures in filters during reverse pulse cleaning by balancing the flow through all holes along the blowtube, ensuring that the pulse jet is directed fully into the filters, and minimising the pressure drop through the blowtube holes.

Goyen's nozzles ensure effective cleaning is achieved at An/AP (total blowtube hole area/blowtube cross-sectional area) values up to 1.5, extracting maximum pulse performance from the diaphragm valves. Systems not using the Goco nozzle perform at 0.5 to 0.8.

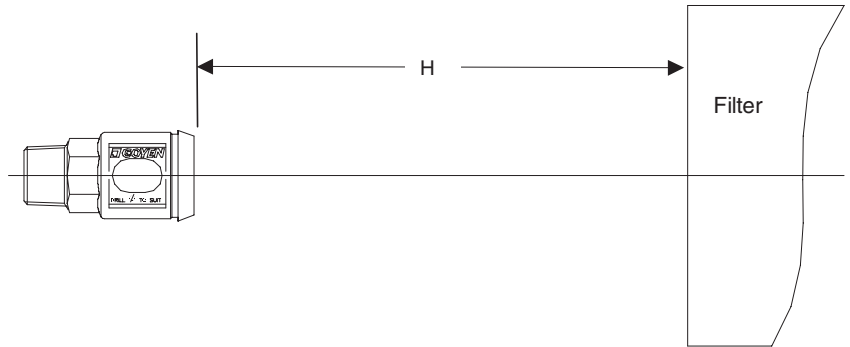
**Suitable for**

1" and 1.5" pipe diameters in reverse pulse jet filter cleaning applications and its variations including bag filters and cartridge filters.

Plastic nozzles are not suitable for high ambient temperature applications above 80°C (176°F). These nozzles are designed to be screwed directly into the threaded outlet of a 'T' series dust collector valve, or into threaded sockets welded to blowtubes.

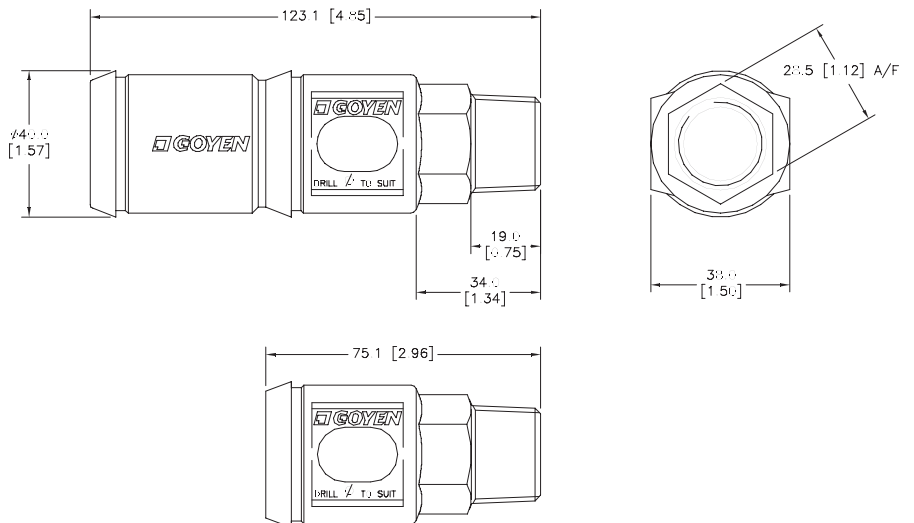
**Installation**

For best performance,  $H = (\text{Ø Filter} - 48) / 0.353$  (mm) or  $H = (\text{Ø Filter} - 1.88) / 0.353$  (inches). Nozzles must be drilled to appropriate orifice size before installation.



**Dimensions and Weights**

(Dimensions in mm and [inches])



**Order Code and Characteristics**

| Order Code  | Connection Size<br>mm (inches) | Thread Type | Barrel Length<br>mm (inches) | Unit Mass<br>Kg (lbs) | Material | Temperature Rating<br>°C °(F) |
|-------------|--------------------------------|-------------|------------------------------|-----------------------|----------|-------------------------------|
| VN20SPN-50  | 20 (3/4)                       | NPT         | 56 (2.2)                     | 0.040 (0.09)          | PA-6     | -40(-40) to 80 (176)          |
| VN20SPR-50  | 20 (3/4)                       | R           | 56 (2.2)                     | 0.040 (0.09)          | PA-6     | -40(-40) to 80 (176)          |
| VN20SPN-100 | 20 (3/4)                       | NPT         | 104 (4.1)                    | 0.065 (0.14)          | PA-6     | -40(-40) to 80 (176)          |
| VN20SPR-100 | 20 (3/4)                       | R           | 104 (4.1)                    | 0.065 (0.14)          | PA-6     | -40(-40) to 80 (176)          |
| VN25SPN-50  | 25 (1)                         | NPT         | 56 (2.2)                     | 0.040 (0.09)          | PA-6     | -40(-40) to 80 (176)          |
| VN25SPR-50  | 25 (1)                         | R           | 56 (2.2)                     | 0.040 (0.09)          | PA-6     | -40(-40) to 80 (176)          |
| VN25SPN-100 | 25 (1)                         | NPT         | 104 (4.1)                    | 0.065 (0.14)          | PA-6     | -40(-40) to 80 (176)          |
| VN25SPR-100 | 25 (1)                         | R           | 104 (4.1)                    | 0.065 (0.14)          | PA-6     | -40(-40) to 80 (176)          |

Nozzle sizes can be optimised using Goyen's GOCO software. Contact your local Goyen representative.